

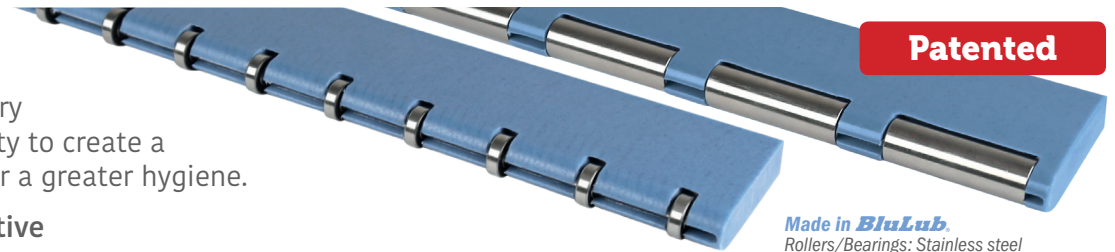
Transfer plate - One piece

Single piece | Improved strenght | Fast maintenance | Greater hygiene | Easy clean | Less fixing point



The One piece patent, thanks to the new coupling system minimise the time necessary for the maintenance and allow the possibility to create a “one-piece”, easy to clean and guarantee for a greater hygiene.

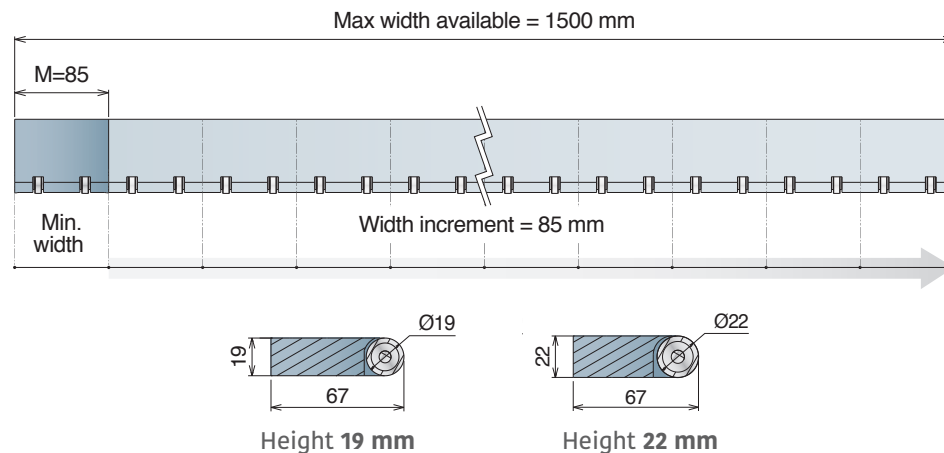
Contact us or ask to your sales representative for a free quotation.



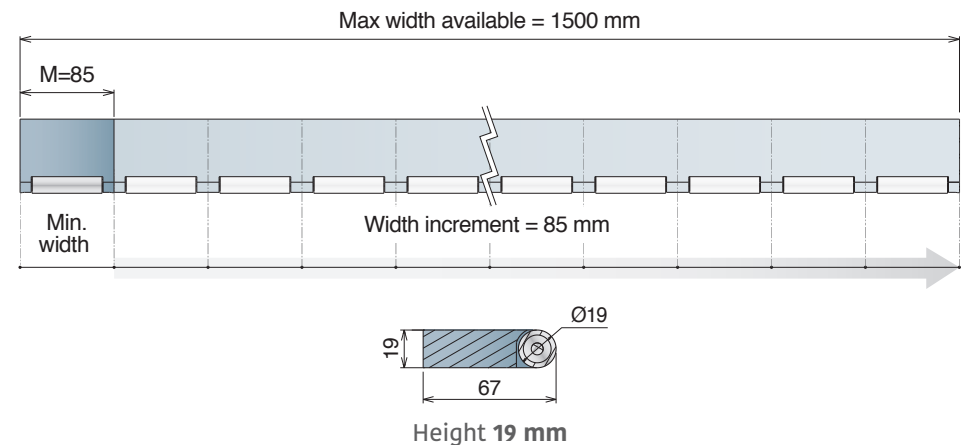
Patented

Made in **BluLub**.
Rollers/Bearings: Stainless steel

Option A - Transfer plate with Bearings



Option B - Transfer plate with Rollers



BluLub® Choose the quality of innovative material.

BluLub is a new super-performance compounded UHMW-PE material with the latest generation of solid lubricants, contributes to improve PV-properties compared to standard UHMW-PE, especially in applications with limited lubrication, higher speeds and/or higher loads, it's ideal for can manufacturing and many other areas of applications.

BluLub ensure high wear and abrasion resistance, requires less energy and with the lower coefficient of friction, improves the product stability and wear life of chains and modular belts.

Molecular density: 5,600,000 g/mol or 9,200,000 g/mol. Operating temperature: -40 to 176°F (-40 to + 80°C) Coefficient of linear Thermal expansion: $9-12 \times 10^{-5}$ (in./in./°F)

Advantages:

- Running dry • Lower wear
- Reduced noise and squeaking
- Lower Coefficient of Friction
 - Less energy consumption
- Minimal moisture absorption
- Smooth and quite chain running

Movex®