

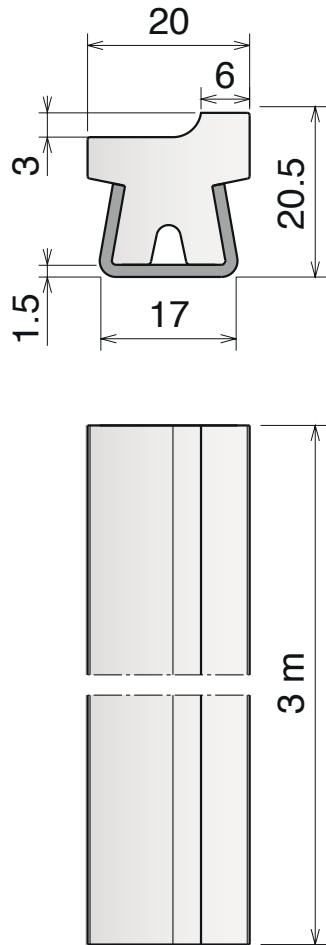
Label protection conical guide
Part. 191

Movex[®]

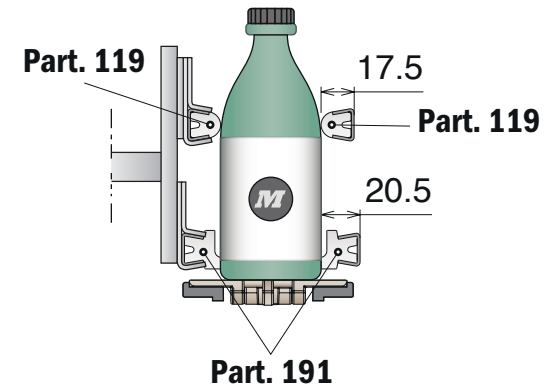
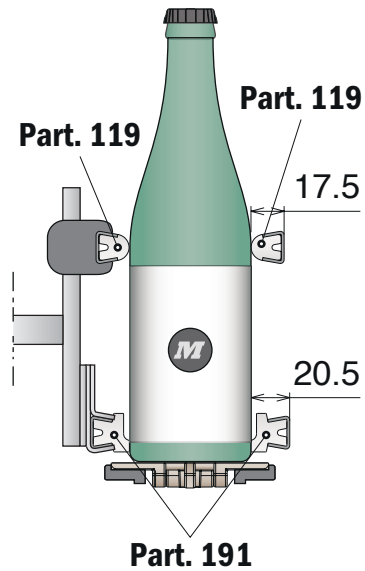
PRODUCT PRESENTATION

Part. 191

LABEL PROTECTION CONICAL GUIDE



TRANSPORT OF GLASS BOTTLES



Label protection conical guide

Part	Article-Nr.	L	Metal profile	Colour
191	19101C	3 m	AISI 304	PE White

Material:

Polyethylene UHMW-PE with molecular density 5,600,000 g/mol
 Linear expansion coefficient: $1.1 \times 10^{-4} \text{ } ^\circ\text{F}^{-1}$ ($2 \times 10^{-4} \text{ } ^\circ\text{C}^{-1}$)
 Operating temperature: -40 to 176°F (-40 to +80°C)

Movex[®]

www.movexii.com

PRODUCT PRESENTATION