

EC254

Modular Belt Series

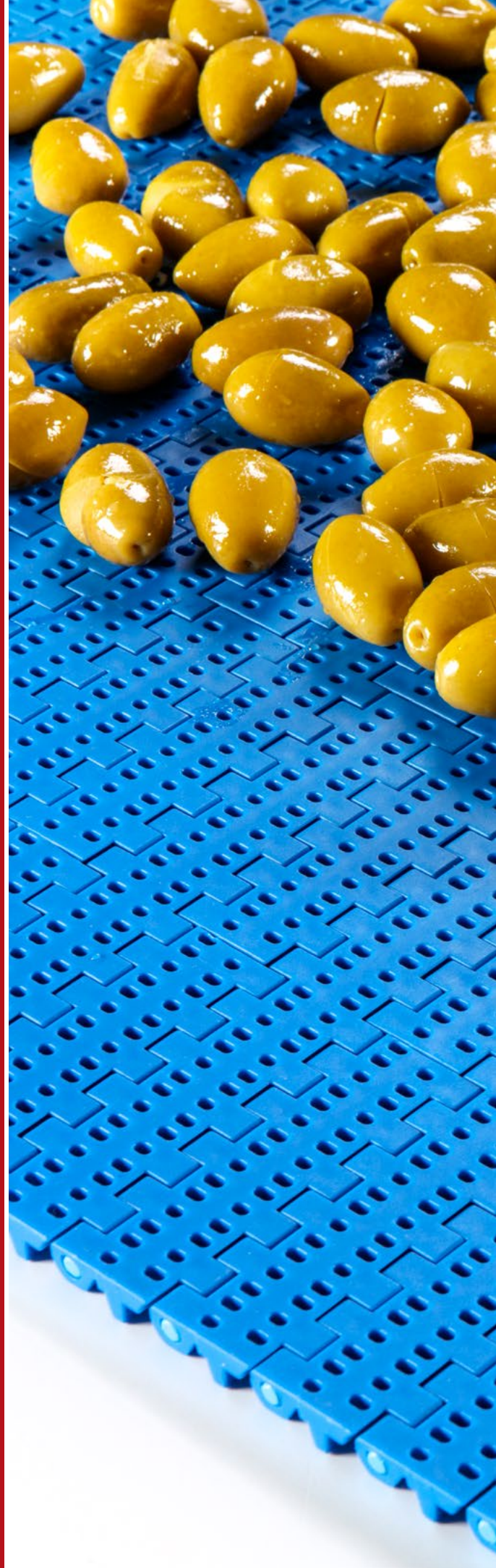
EC254 C

EC254 PR%16

EC254 NT

Sprockets & Accessories

Engineering Information







EC254 C

Modular Belt Series

- **Meat (Beef and Pork) Applications**

Fat - Trim Lines, General Conveyence, Packing Lines, Elevator

- **Poultry Applications**

Debonning, Trim Lines, Offal - Feather Lines, Grading Lines, Freezing Lines, Elevator

- **Seafood Applications**

Inspection Tables, Grading Lines, Trim Lines

- **Bakery Applications**

Row Dough Handling, Cooling Lines, Packing Lines

- **Snack Food Applications**

Corn Processing

- **Fruits and Vegetables Applications**

Bulk Feeding, Elevator, Control - Sorting Table

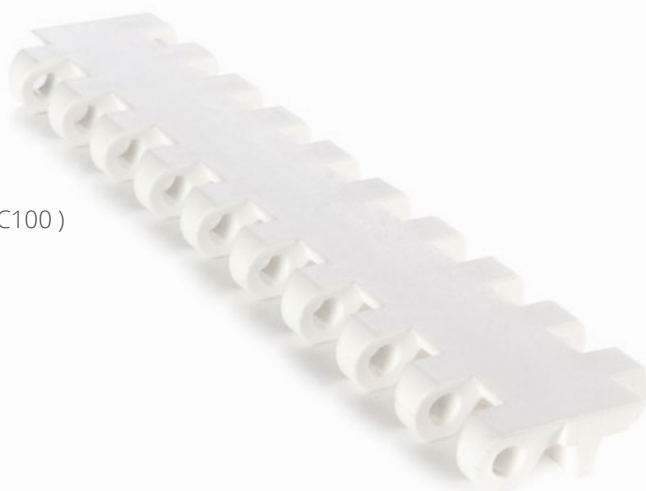
- **Packaging Applications**

Labelling, Palletizing - Depalletizing



EC254 C

Pitch:	25,4 mm / 1 inch
Belt Surface:	Close, Smooth Surface
Minimum Width:	152,4 mm / 6 inch
Open Area (%):	0%
Flight:	Yes (T25, T50, T75, TC75, TCH75, T100, TNC50, TNC100)
Sidewall:	Yes (h=25 mm, h=50 mm, h=75 mm, h=100 mm)
Rod:	Ø5 mm / 0.197 inch - Self Lock
Approved:	FDA and EU
Curve:	No
Color:	Additional colors available
Cleanability:	Excellent
Belt Thickness:	10 mm / 0.394 inch



Product Features and Functional Benefits

- Easy to clean reduces downtime for cleaning time 70%.
- Unique sprocket engagement - higher product load and longer conveyors.
- Close transfer applications.
- Reduces bacteria growth.

Available Moulded Module Sizes

- 152,4 mm / **6 inch** module
- 76,2 mm / **3 inch** module
- 45 mm / **1.77 inch** module
- 30 mm / **1.18 inch** module

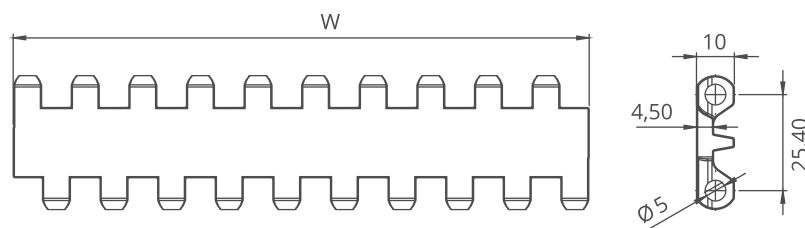
EC254 C / Technical Information

BELT MATERIAL	BELT STRENGTH				TEMPERATURE		BELT WEIGHT
	Straight		Curve		°C / °F (min.)	°C / °F (max.)	Kg/m ² / lb/ft ²
	N/m	lb/ft	N/m	lb/ft			
Polypropylene	15400	1055	-	-	+5 / +41	+90 / +194	4,9 / 1.00
Polyethylene	9240	603	-	-	-73 / -99.4	+66 / +150.8	5,2 / 1.05
Acetal	25150	1723	-	-	-43 / -45.4	+110 / +230	7,3 / 1.49

- Belt strength and temperature values are maximum on the table.

EC254 C / Standard Belt Widths

BELT SERIES	WIDTH (W)				Belt With Tolerance (max.)
	PP-PE		POM		
	mm	inch	mm	inch	
EC254 C	152,4	6.0	152,4	6.0	± 0,5 mm
EC254 C	228,6	9.0	228,6	9.0	± 2 mm
EC254 C	304,8	12.0	304,8	12.0	± 2 mm
EC254 C	381,0	15.0	381,0	15.0	± 3 mm
EC254 C	457,2	18.0	457,2	18.0	± 3 mm
EC254 C	533,4	21.0	533,4	21.0	± 3 mm
EC254 C	609,6	24.0	609,6	24.0	± 3 mm
EC254 C	685,8	27.0	685,8	27.0	± 4 mm
EC254 C	762,0	30.0	762,0	30.0	± 4 mm
EC254 C	838,2	33.0	838,2	33.0	± 4 mm
EC254 C	914,4	36.0	914,4	36.0	± 4 mm
EC254 C	990,6	39.0	990,6	39.0	± 4 mm
EC254 C	1066,8	42.0	1066,8	42.0	± 4 mm
EC254 C	1143,0	45.0	1143,0	45.0	± 4 mm



- Standard belt increments 76,2 mm.
- Non-standard belt increments 15,2 mm.
- Please contact with customer service for precise belt measurements.



EC254 PR%16

Modular Belt Series

• Meat and Poultry Applications

General Conveyance and Breeding Lines

• Fruit and Vegetable Applications

Including Elevators, Steam Peeler, Inspection Tables

• Seafood Applications

Including Elevators, Inspection Tables, Grading Lines,

Trim Lines, Glazing Lines, Cooking Lines

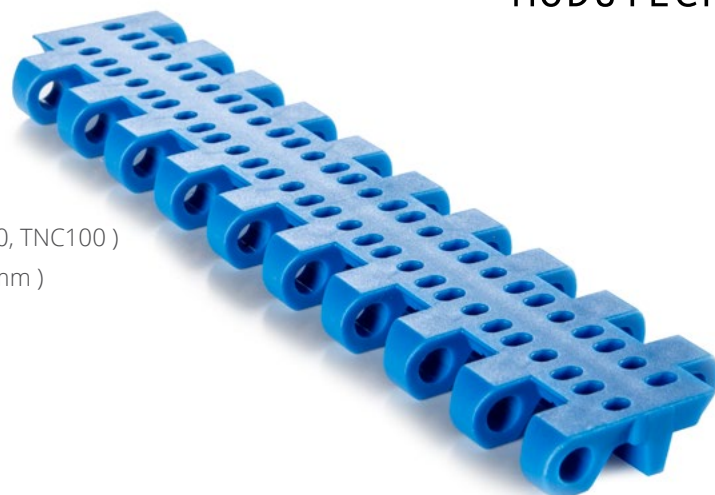
• Bakery Applications

Including Raw Dough Handling, Cooling Lines,

Icing Lines, Packing Lines, Metal Detectors



EC254 PR%16



Pitch:	25,4 mm / 1 inch
Belt Surface:	Open, Smooth Surface
Minimum Width:	152,4 mm / 6 inch
Open Area (%):	16%. (Biggest opening 2,5 x 4,5 mm)
Flight:	Yes (T25, T50, T75, TC75, TCH75, T100, TNC50, TNC100)
Sidewall:	Yes (h=25 mm, h=50 mm, h=75 mm, h=100 mm)
Rod:	Ø5 mm / 0.197 inch - Self Lock
Approved:	FDA and EU
Curve:	No
Color:	Additional colors available
Cleanability:	Excellent
Belt Thickness:	10 mm / 0.394 inch

Product Features and Functional Benefits

- Unique sprocket engagement - precise indexing, easy cleaning.
- Different openings to optimize performance in cooling and draining applications.
- Easy to clean reduces downtime for cleaning time 70%.
- Reduces bacteria growth.

Available Moulded Module Sizes

- 152,4 mm / **6 inch** module
- 76,2 mm / **3 inch** module
- 45 mm / **1.77 inch** module
- 30 mm / **1.18 inch** module

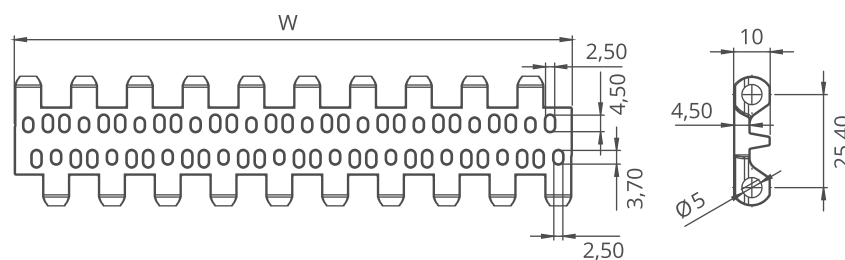
EC254 PR%16 / Technical Information

BELT MATERIAL	BELT STRENGTH				TEMPERATURE		BELT WEIGHT Kg/m ² / lb/ft ²
	Straight		Curve		°C / °F (min.)	°C / °F (max.)	
	N/m	lb/ft	N/m	lb/ft			
Polypropylene	12100	828	-	-	+5 / +41	+90 / +194	4,5 / 0.92
Polyethylene	7700	527	-	-	-73 / -99.4	+66 / +150.8	4,7 / 0.96
Acetal	19800	1356	-	-	-43 / -45.4	+110 / +230	6,5 / 1.33

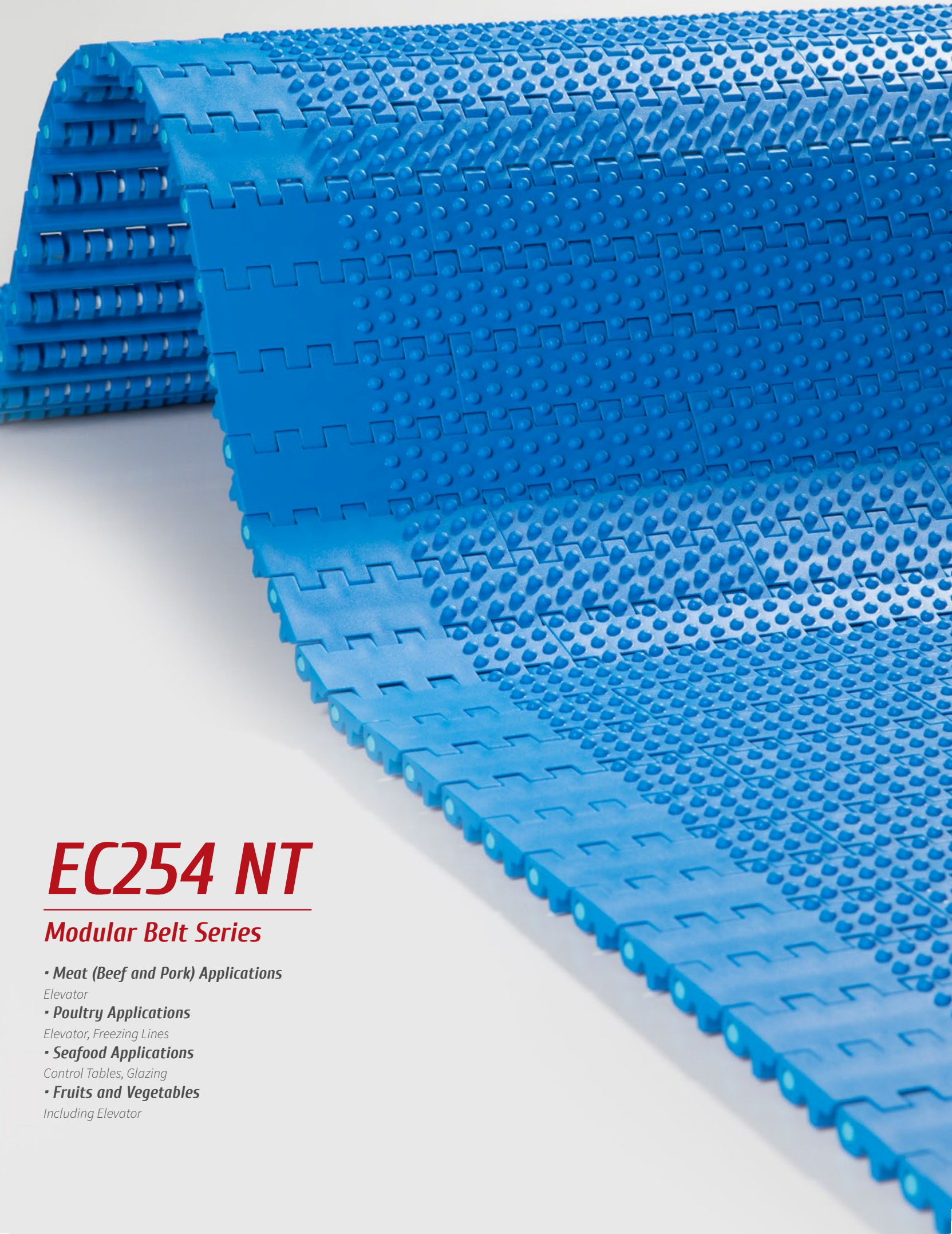
- Belt strength and temperature values are maximum on the table.

EC254 PR%16 / Standard Belt Widths

BELT SERIES	WIDTH (W)				Belt With Tolerance (max.)
	PP-PE		POM		
	mm	inch	mm	inch	
EC254 PR16	152,4	6.0	152,4	6.0	± 0,5 mm
EC254 PR16	228,6	9.0	228,6	9.0	± 2 mm
EC254 PR16	304,8	12.0	304,8	12.0	± 2 mm
EC254 PR16	381,0	15.0	381,0	15.0	± 3 mm
EC254 PR16	457,2	18.0	457,2	18.0	± 3 mm
EC254 PR16	533,4	21.0	533,4	21.0	± 3 mm
EC254 PR16	609,6	24.0	609,6	24.0	± 3 mm
EC254 PR16	685,8	27.0	685,8	27.0	± 4 mm
EC254 PR16	762,0	30.0	762,0	30.0	± 4 mm
EC254 PR16	838,2	33.0	838,2	33.0	± 4 mm
EC254 PR16	914,4	36.0	914,4	36.0	± 4 mm
EC254 PR16	990,6	39.0	990,6	39.0	± 4 mm
EC254 PR16	1066,8	42.0	1066,8	42.0	± 4 mm
EC254 PR16	1143,0	45.0	1143,0	45.0	± 4 mm



- Standard belt increments 76,2 mm.
- Non standard belt increments 15,2 mm.
- Please contact with customer service for precise belt measurements.



EC254 NT

Modular Belt Series

• Meat (Beef and Pork) Applications

Elevator

• Poultry Applications

Elevator, Freezing Lines

• Seafood Applications

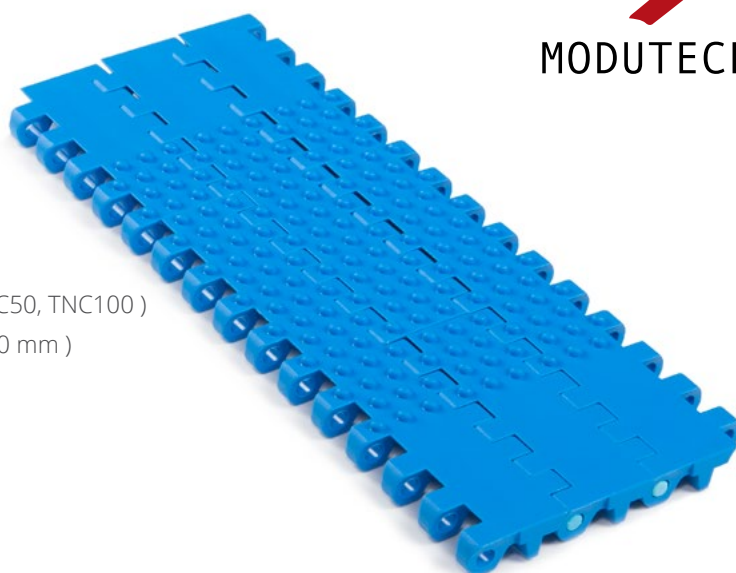
Control Tables, Glazing

• Fruits and Vegetables

Including Elevator



EC254 NT



Pitch:	25,4 mm / 1 inch
Belt Surface:	Close, Nub Top Surface
Minimum Width:	152,4 mm / 6 inch
Open Area (%):	0%
Flight:	Yes (T25, T50, T75, TC75, TCH75, T100, TNC50, TNC100)
Sidewall:	Yes (h=25 mm, h=50 mm, h=75 mm, h=100 mm)
Rod:	Ø5 mm / 0.197 inch - Self Lock
Approved:	FDA and EU
Curve:	No
Color:	Additional colors available
Cleanability:	Excellent
Belt Thickness:	12 mm / 0.472 inch

Product Features and Functional Benefits

- Easy to clean reduces downtime for cleaning time 70%.
- Reduces bacteria growth.
- Non-adhesive due to reduced contact surface.
- Close transfer applications.

Available Moulded Module Sizes

- 152,4 mm / **6 inch** module
- 152,4 mm / **6 inch** edge module with 45 mm indent

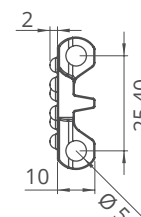
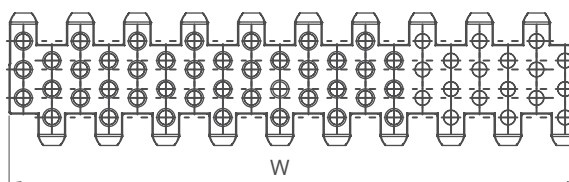
EC254 NT / Technical Information

BELT MATERIAL	BELT STRENGTH				TEMPERATURE		BELT WEIGHT
	Straight		Curve		°C / °F (min.)	°C / °F (max.)	
	N/m	lb/ft	N/m	lb/ft			Kg/m ² / lb/ft ²
Polypropylene	15400	1055	-	-	+5 / +41	+90 / +194	5,1 / 1.05
Polyethylene	8800	603	-	-	-73 / -99.4	+66 / +150.8	5,4 / 1.11
Acetal	25150	1723	-	-	-43 / -45.4	+110 / +230	7,7 / 1.57

- Belt strength and temperature values are maximum on the table.

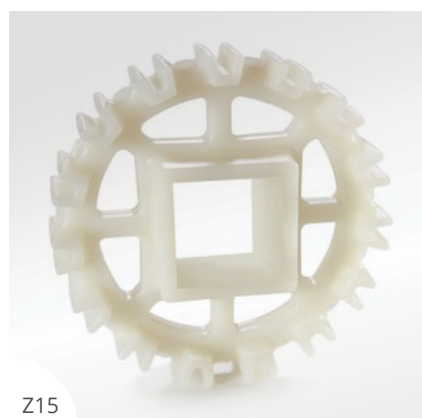
EC254 NT / Standard Belt Widths

BELT SERIES	WIDTH (W)				Belt With Tolerance (max.)
	PP-PE		POM		
	mm	inch	mm	inch	
EC254 NT	152,4	6.0	152,4	6.0	± 0,5 mm
EC254 NT	228,6	9.0	228,6	9.0	± 2 mm
EC254 NT	304,8	12.0	304,8	12.0	± 2 mm
EC254 NT	381,0	15.0	381,0	15.0	± 3 mm
EC254 NT	457,2	18.0	457,2	18.0	± 3 mm
EC254 NT	533,4	21.0	533,4	21.0	± 3 mm
EC254 NT	609,6	24.0	609,6	24.0	± 3 mm
EC254 NT	685,8	27.0	685,8	27.0	± 4 mm
EC254 NT	762,0	30.0	762,0	30.0	± 4 mm
EC254 NT	838,2	33.0	838,2	33.0	± 4 mm
EC254 NT	914,4	36.0	914,4	36.0	± 4 mm
EC254 NT	990,6	39.0	990,6	39.0	± 4 mm
EC254 NT	1066,8	42.0	1066,8	42.0	± 4 mm
EC254 NT	1143,0	45.0	1143,0	45.0	± 4 mm



- Standard belt increments 76,2 mm.
- Non-standard belt increments 15,2 mm.
- Please contact with customer service for precise belt measurements.

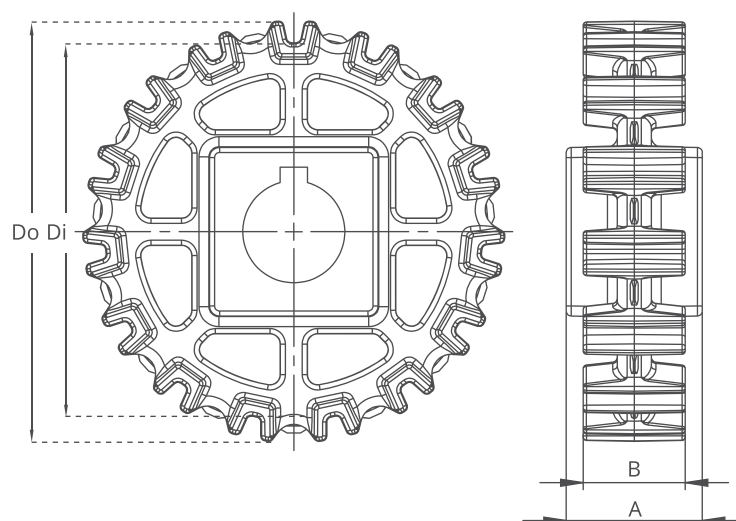
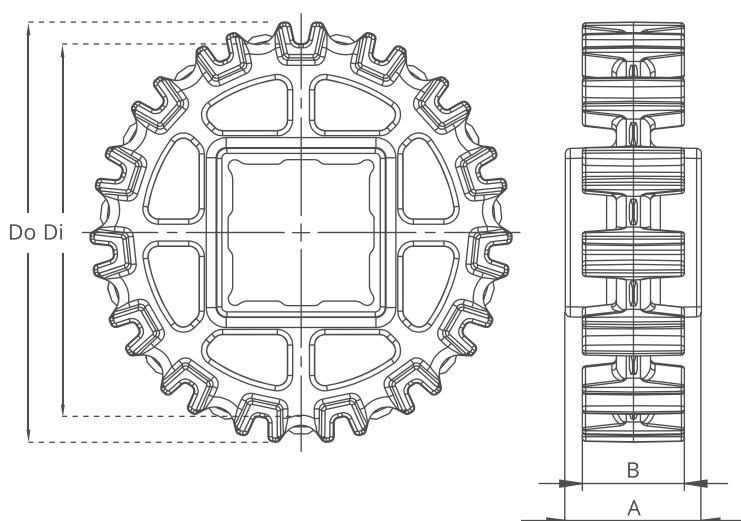
EC254 Series Sprockets and Technical Specifications



Z15



Z15



EC254 Series / Standard Sprockets Dimensions

NO. TEETH	Di mm/inch	Do mm/inch	B mm/inch	A mm/inch	Square Bore (Q) mm/inch	Round Bore (R) mm/inch	PRODUCT CODE	
							Square Type (Q)	Round Type (R)
Z8	51,6 / 2.03	64,6 / 2.54	30 / 1.18	40 / 1.57	25 / 1	25 / 1	EC254SQZ8*POM	EC254SRZ8*POM
Z10	68,8 / 2.71	81,8 / 3.22	30 / 1.18	40 / 1.57	40 / 1.5	25-30 / 1-1.25	EC254SQZ10*POM	EC254SRZ10*POM
Z12	85,5 / 3.37	98,8 / 3.89	30 / 1.18	40 / 1.57	40 / 1.5	25-30 / 1-1.25	EC254SQZ12*POM	EC254SRZ12*POM
Z15	111,1 / 4.37	124,1 / 4.89	30 / 1.18	40 / 1.57	40 / 1.5	25-30 / 1-1.25	EC254SQZ15*POM	EC254SRZ15*POM
Z18	136,1 / 5.36	149,1 / 5.87	30 / 1.18	40 / 1.57	40 / 1.5	25-30 / 1-1.25	EC254SQZ18*POM	EC254SRZ18*POM

*Other sprockets and hub sizes are manufactured up to request. *PA (Polyamide) and PP (Polypropylene) sprockets raw material is available on request.

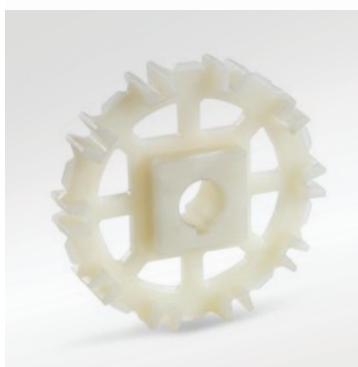
***Machined Split Sprockets are available for each size.**



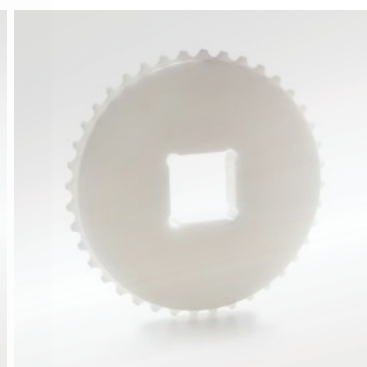
Clamp



Machined Split Sprocket



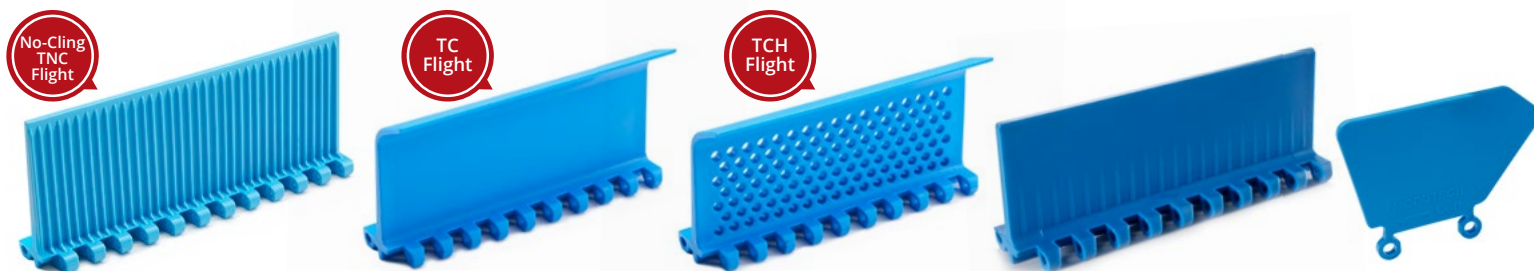
Moulded Sprocket



Machined Sprocket

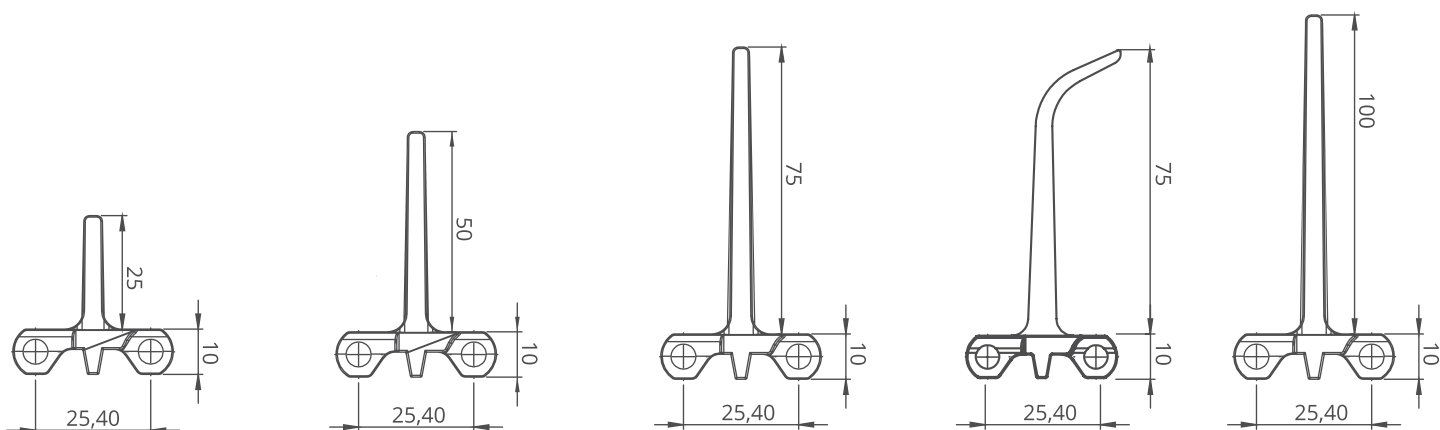


EC254 Series Accessories and Technical Specifications

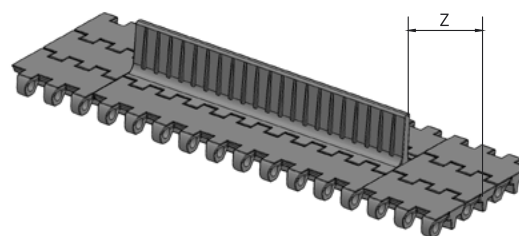
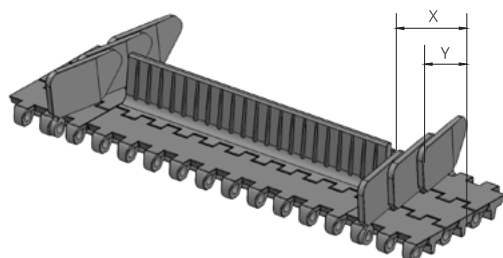


EC254 Series / Flight & Sidewall Dimensions

EC254 Series / Flights & Sidewalls				
PRODUCT CODE	Flight Height (mm/ inch)	Flight Width (mm/ inch)	PRODUCT CODE	Sidewall Height (mm/ inch)
EC254T25	25 / 1	152,4 / 6	EC254SW25	25 / 1
EC254T50	50 / 2	152,4 / 6	EC254SW50	50 / 2
EC254T75	75 / 3	152,4 / 6	EC254SW75	75 / 3
EC254T100	100 / 4	152,4 / 6	EC254SW100	100 / 4
EC254TC75	75 / 3	152,4 / 6	-	-
EC254TCH75	75 / 3	152,4 / 6	-	-
EC254TNC50	50 / 2	152,4 / 6	-	-
EC254TNC100	100 / 4	152,4 / 6	-	-



* Additional flight dimensions are available up to 100 mm.



EC254 Series / Sidewall Technical Specifications

Possible Sidewall and Flight Indents	X		Y	
	mm	inch	mm	inch
Standard, no module cutting	24,0	0.94	15,0	0.59
Module cutting necessary	32,0	1.26	22,0	0.87
Standard, no module cutting	40,0	1.57	30,0	1.18
Module cutting necessary	48,0	1.89	37,0	1.46
Standard, no module cutting	56,0	2.20	45,0	1.77
Module cutting necessary	64,0	2.52	53,0	2.09

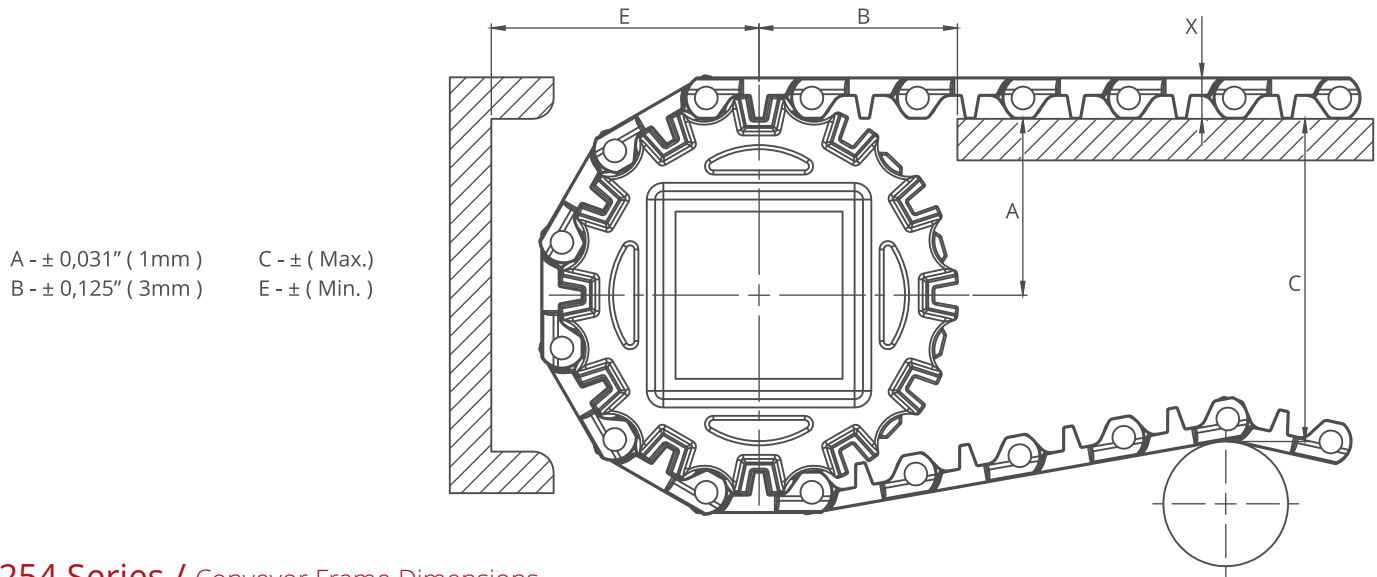
EC254 Series / Flight Technical Specifications

Possible Flight Indents for EC254 Series	Z	
	mm	inch
Standard, module cutting	15,0	0.59
Standard, no module cutting	30,0	1.18
Standard, no module cutting	45,0	1.77
Standard, module cutting	60,0	2.36
Standard, no module cutting	76,0	2.99

*Non-standard flight indent is on request.

Note: Gap between flight and sidewall minimum 2-3 mm
Gap between flight and sidewall maximum 10 mm

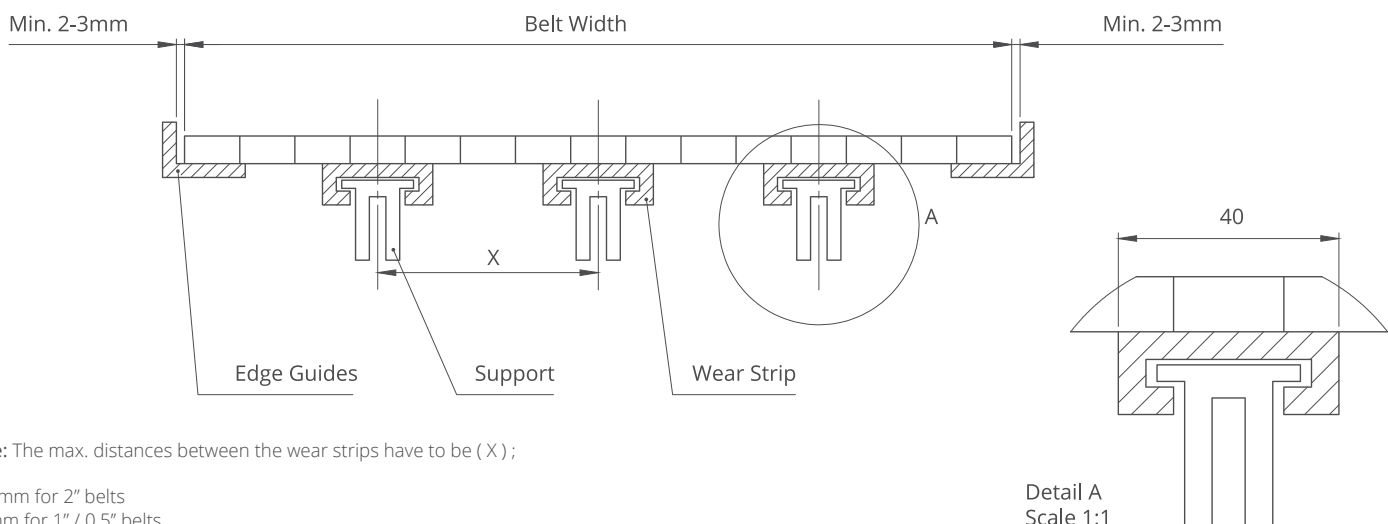
EC254 Series *Engineering Information*



EC254 Series / Conveyor Frame Dimensions

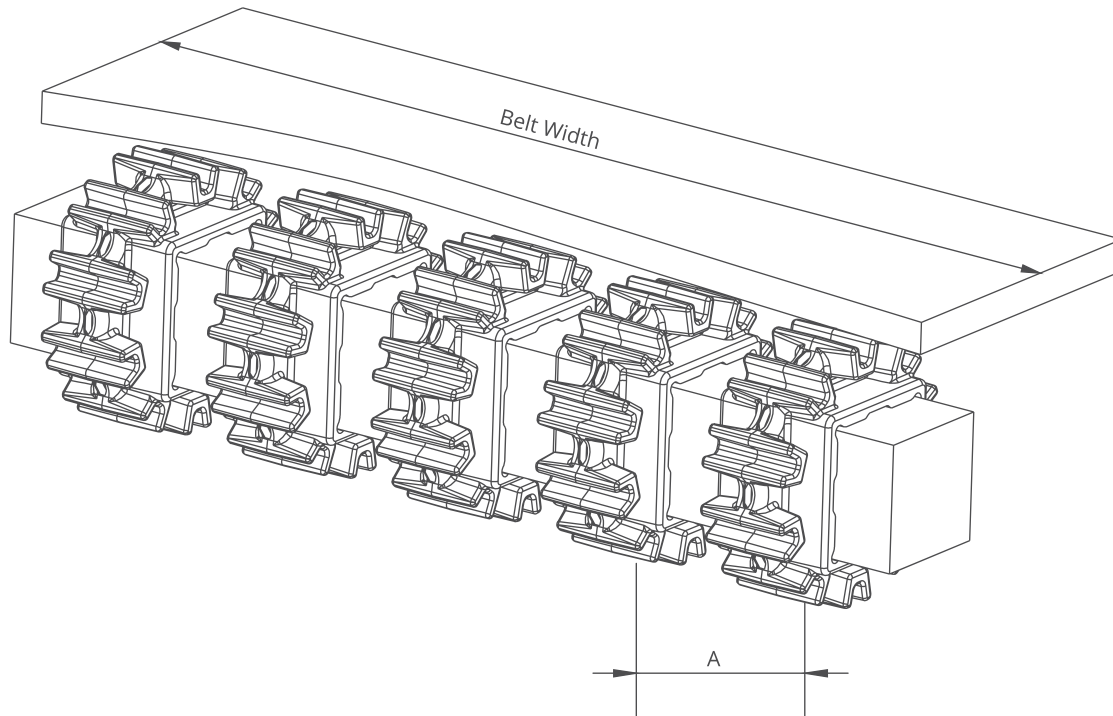
Sprockets Description			A		B		C		E		X	
Pitch Diameter		No.Teeth	Range (Bottom to Top)		inch	mm	inch	mm	inch	mm	inch	mm
inch	mm		inch	mm								
EC254 C, EC254 PR%16												
2.30	58,5	8	1.16	29,4	1.48	37,6	1.92	48,7	1.94	49,4	0.39	10,0
2.97	75,5	10	1.48	37,5	1.69	42,9	2.57	65,3	2.26	57,5	0.39	10,0
3.63	92,3	12	1.80	45,8	1.87	47,4	3.23	82,0	2.59	65,8	0.39	10,0
4.65	118,0	15	2.23	56,7	2.16	54,9	4.16	105,7	3.02	76,7	0.39	10,0
5.63	143,0	18	2.75	70,0	2.35	59,7	5.18	131,5	3.54	90,0	0.39	10,0
EC254 NT												
2.30	58,5	8	1.08	27,4	1.52	38,6	1.84	46,7	1.94	49,4	0.47	12,0
2.97	75,5	10	1.40	35,5	1.74	44,1	2.49	63,3	2.26	57,5	0.47	12,0
3.63	92,3	12	1.74	44,1	1.92	48,7	3.16	80,3	2.60	66,1	0.47	12,0
4.65	118,0	15	2.20	55,9	2.19	55,5	4.13	109,0	3.07	77,9	0.47	12,0
5.63	143,0	18	2.70	68,6	2.40	61,0	4.20	120,0	2.95	91,0	0.47	12,0

EC254 Series / Slider Support System For Straight Running Belts



Note: The max. distances between the wear strips have to be (X) ;

125 mm for 2" belts
 80 mm for 1" / 0.5" belts



EC254 Series / Sprockets Arrangement

Standard Belt Width		Number of sprockets per shaft		A (mm/inch)	
mm	inch	Drive Shaft	Return Shaft	Min.	Max.
152,4	6.0	2	2	60/2.36	170/6.6
228,6	9.0	2	2	60/2.36	170/6.6
304,8	12.0	3	2	60/2.36	170/6.6
381,0	15.0	4	3	60/2.36	170/6.6
457,2	18.0	5	3	60/2.36	170/6.6
533,4	21.0	5	3	60/2.36	170/6.6
609,6	24.0	6	3	60/2.36	170/6.6
685,8	27.0	6	4	60/2.36	170/6.6
762,0	30.0	7	4	60/2.36	170/6.6
838,2	33.0	7	4	60/2.36	170/6.6
914,4	36.0	8	4	60/2.36	170/6.6
990,6	39.0	8	5	60/2.36	170/6.6
1066,8	42.0	9	5	60/2.36	170/6.6
1143,0	45.0	9	5	60/2.36	170/6.6
1219,2	48.0	10	5	60/2.36	170/6.6
1295,4	51.0	10	6	60/2.36	170/6.6
1371,6	54.0	11	7	60/2.36	170/6.6
1447,8	57.0	11	7	60/2.36	170/6.6
1524,0	60.0	12	7	60/2.36	170/6.6
1600,2	63.0	12	8	60/2.36	170/6.6
1676,4	66.0	12	8	60/2.36	170/6.6
1752,6	69.0	13	8	60/2.36	170/6.6
1828,8	72.0	14	9	60/2.36	170/6.6
1905,0	75.0	14	9	60/2.36	170/6.6
1981,2	78.0	15	10	60/2.36	170/6.6
2057,4	81.0	15	10	60/2.36	170/6.6

Note: Number of sprockets depends on the belt load.